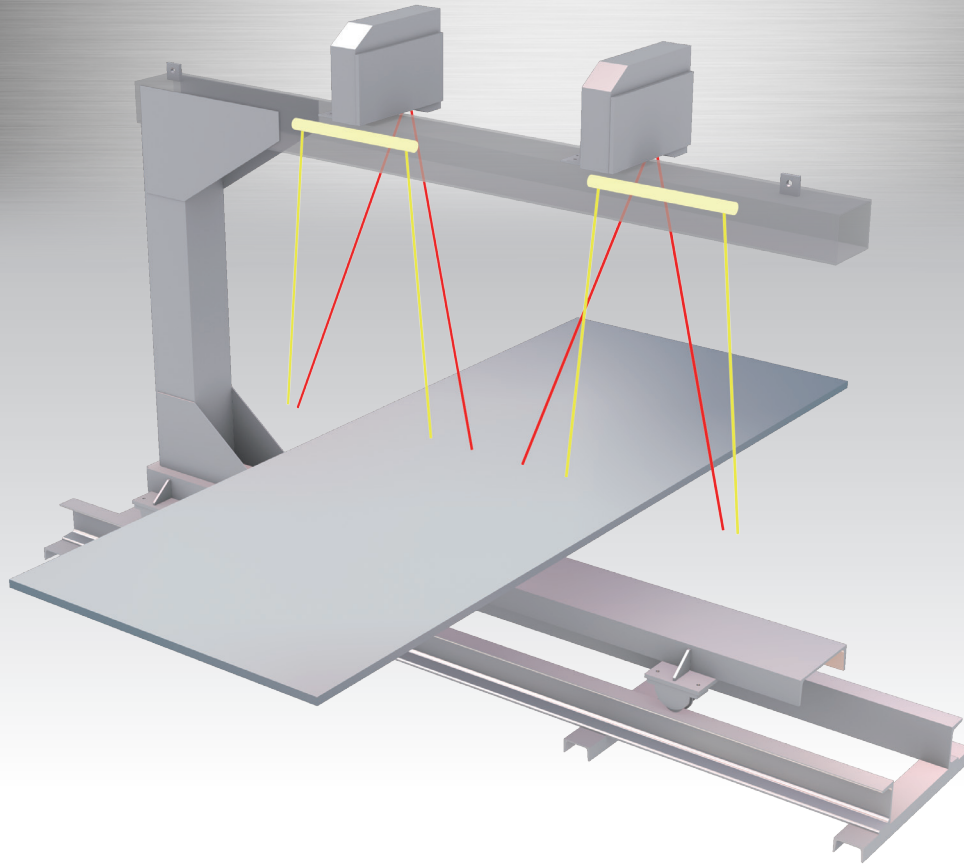


Strip Width Gauge WGL1000

Strip width gauge using image processing technology



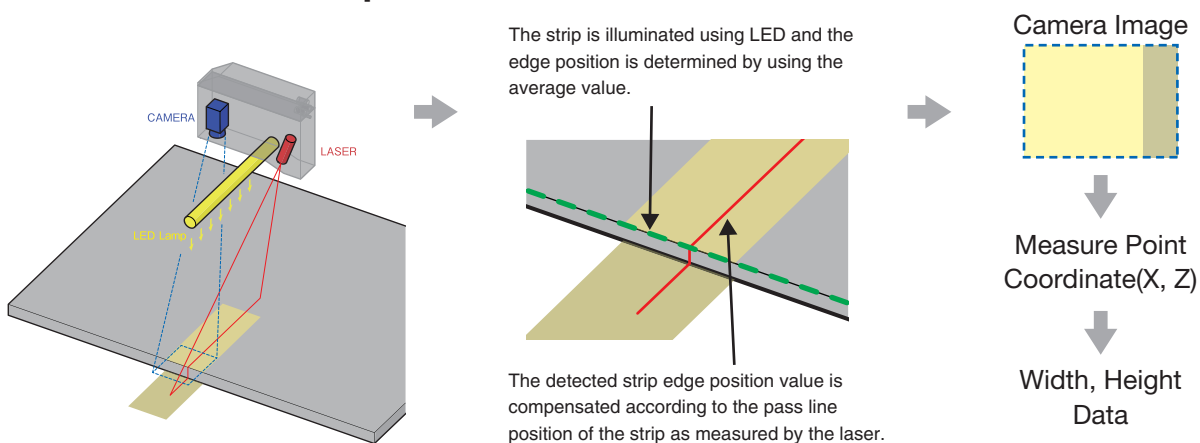
2 Light Source Image Management

- Reduce variation (error) due to changes in strip pass line
- Measurement range can be varied by changing the lens or adjusting the installation height of the sensor unit

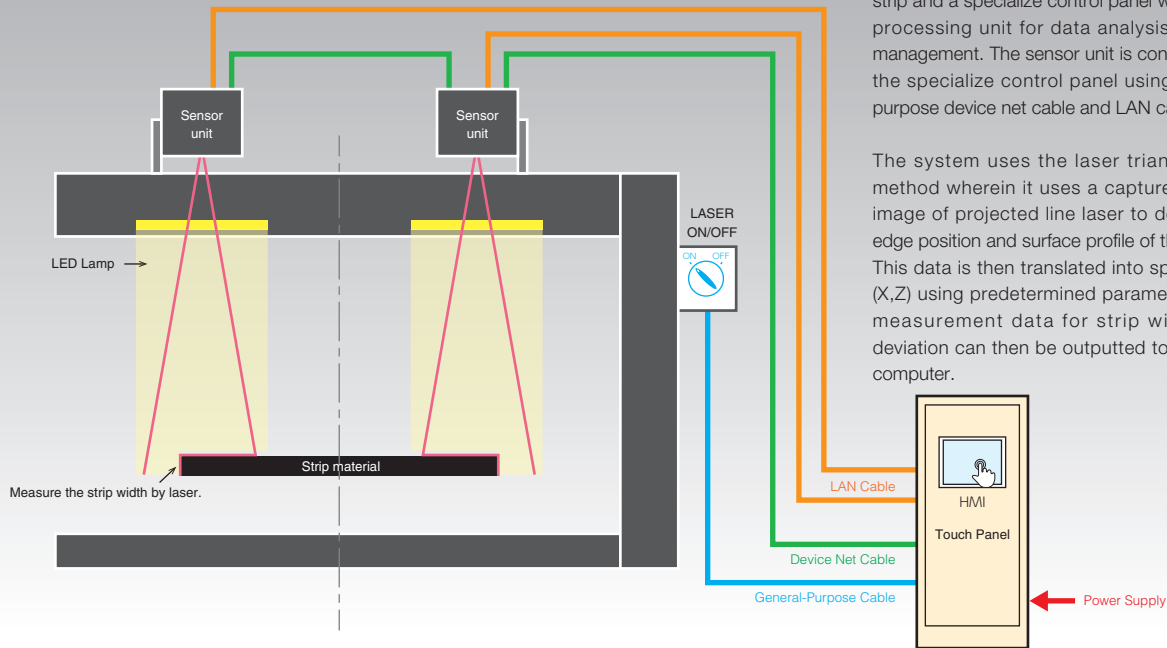
Installation above the strip

- Flexible installation (all installation above strip)
- Easy maintenance due to accessibility
- Reduce adhesion of dirt in LED and sensor unit

Measurement Principle



Equipment Configuration



Specification

Sensor Unit		
Measurement	Passline direction	±30mm
	Lateral direction	800mm(standard)
Range		
Measurement Accuracy		±0.4mm
Applicable Material		Metal strip, others
Laser Light Source	Type	Semiconductor laser
	Wave length	660nm
	Output	30mW and below
	Laser Class	3R
LED Light Source	Output Rating	40W
Cable length		100m and below
Operating Environment	Temp. Range	0-40°C
	Protection Class	IP54
Approx. Weight		11kg
Size		H315 x W120 x D370

Control Panel		
Image Processing Unit		NIPU1000
Measurement Cycle		10ms
No. of Sensor unit that can be connected		2(standard) Max 4
Touch Panel	Display range	0-9999.9mm
	Size	10.5inch
External I/F	Strip Width Output	Ether-net, Analog
	Strip Deviation Output	Ether-net, Analog
	Edge Height Output	Ether-net
	I/O Contact	PiO
Utility	Power Supply	AC100-440V
	Current Rating	1.5kVA
Operating Environment	Temp. Range	0-40°C
	Protection Class	IP54
Approx. Weight		250kg
Size		H1800 x W100 x D675